

# ANSWERS

## Puzzle 1 Answer

“Then God said, ‘Let us make mankind in our image, in our likeness, so that they may rule over the fish in the sea and the birds in the sky, over the livestock and all the wild animals, and over all the creatures that move along the ground.’ So God created mankind in his own image, in the image of God He created them; male and female He created them. God blessed them and said to them, ‘Be fruitful and increase in number; fill the earth and subdue it. Rule over the fish in the sea and the birds in the sky and over every living creature that moves on the ground’” (Genesis 1:26-28).

## Puzzle 2 Answer

### Text One

“By the seventh day God had finished the work he had been doing; so on the seventh day he rested from all his work. Then God blessed the seventh day and made it holy, because on it he rested from all the work of creating that he had done” (Genesis 2:2, 3).

### Text Two

“Remember the Sabbath day by keeping it holy. Six days you shall labor and do all your work, but the seventh day is a Sabbath to the Lord your God. On it you shall not do any work, neither you, nor your son or daughter, nor your male or female servant, nor your animals, nor any foreigner residing in your towns. For in six days the Lord made the heavens and the earth, the sea, and all that is in them, but he rested on the seventh day. Therefore the Lord blessed the Sabbath day and made it holy” (Exodus 20:8-11).

## Puzzle 3 Answer

“For as in Adam all die, so in Christ all will be made alive” (1 Corinthians 15:22).

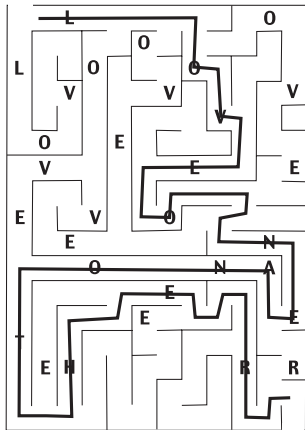
“Adam and his companion were assured that notwithstanding their great sin, they were not to be abandoned to the control of Satan. The Son of God had offered to atone, with His own life, for their transgression” (*Patriarchs and Prophets*, p. 66).

## Puzzle 4 Answer

O	What did Cain and Abel bring to God? (Genesis 4:3, 4)	intercede
B	What cried out to God? (Genesis 4:10, 11)	crush its head
E	Where would Cain be a “restless wanderer”? (Genesis 4:12)	Eden
D	What is the penalty for sin? (Romans 6:23)	evil
I	What does Jesus do for us? (Hebrews 7:25)	new
E	Cain lived in Nod, which is east of where? (Genesis 4:16)	blood
N	To “love one another” is what kind of command? (John 13:34)	offering
C	What would Adam and Eve’s offspring do to the serpent? (Genesis 3:15)	earth
E	What is arrogance like? (1 Samuel 15:22-23)	death

# ANSWERS

## Puzzle 6



## Puzzle 5 Answer

In order to decode the message, take the first letter of the first word, the second letter of second word, the third letter of the third word, etc., until you have completed a word of the answer. Then repeat the process using the first letter of the next word to begin the second word of the answer.

“For God does not show favoritism” (Romans 2:11).

## Puzzle 6 Answer

Love one another.

## Puzzle 7 Answer

“Anyone who loves me will obey my teaching” (John 14:23).

## Puzzle 8 Answer

“Since God so loved us, we also ought to love one another” (1 John 4:11).

## Puzzle 9 Answer

(See the diagram at the left.)

## Puzzle 10 Answer

“Come to me, all you who are weary and burdened, and I will give you rest” (Matthew 11:28).

“Anyone who loves me will obey my teaching. My Father will love them, and we will come to them and make our home with them” (John 14:23).

## Puzzle 11 Answer

“But take heart! I have overcome the world” (John 16:33).

## Puzzle 12 Answer

“For my power is made perfect in weakness” (2 Corinthians 12:9).

## Puzzle 13 Answers

“Trust in the Lord with all your heart and lean not on your own understanding; in all your ways submit to him, and he will make your paths straight” (Proverbs 3:5, 6).

## Puzzle 9

